

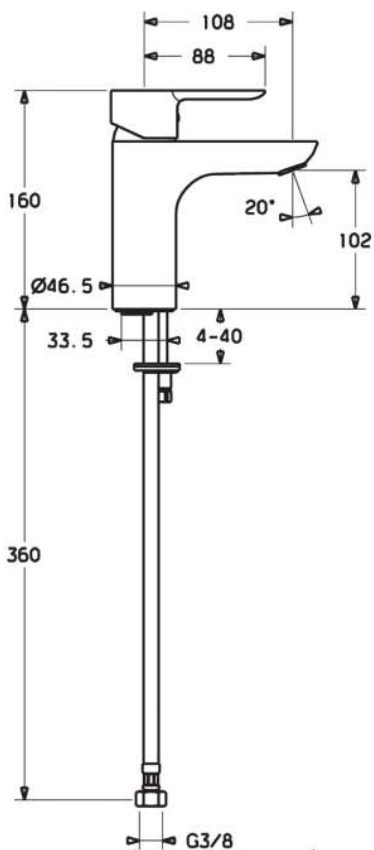
# Ligna

Hansa Ligna Basin Faucet

Code:  
HL0608 2203




- Chrome
- Single-lever, Fixed spout
- Hot & Cold Symbols
- PCA® - constant flow rate regardless of pressure variations, Hidden aerator
- Limitation option for maximum temperature and flow-rate, Adjustable hot water stop (retrofittable)
- $\varnothing$  35 mm ceramic cartridge for flow and temperature control
- Flexible inlet pipes
- Inner body made of DZR brass, Rapid installation system



Flow Rate at 300kPa (With flow controller) **6.0 L/min**  
Hot Water Supply **max. +80°C**  
Working Pressure **1 - 10 bar**  
Connection Size **G3/8**

Angle Valves:  
2 x SC7103 10 50001 Female OR  
2 x 97033000 Male

 DESIGNED AND ENGINEERED IN GERMANY  
MANUFACTURED IN EUROPE

