

Ronda

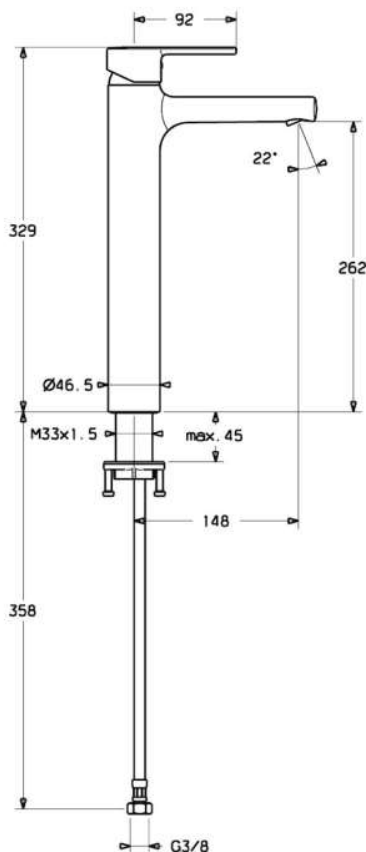
Hansa Ronda New Tall Basin Faucet

Code:

HRO0303 2273



- Chrome
- Single-lever, Fixed spout
- Hot & Cold Symbols
- PCA® - constant flow rate regardless of pressure variants, Hidden aerator
- Limitation option for maximum temperature and flow rate, Adjustable hot water stop (retrofitable)
- \varnothing 35 mm ceramic cartridge for flow and temperature control
- Flexible inlet pipes
- Inner body made of DZR brass



Flow Rate at 300kPa (With flow controller)	6.0 L/min
Hot Water Supply	max. +80°C
Working Pressure	1 - 10 bar
Connection Size	G3/8
Noise Class	I (ISO 3822)

Angle Valves:

2 x SC7103 10 50001 Female

2 x 97033000 Male



DESIGNED AND ENGINEERED IN GERMANY
MANUFACTURED IN EUROPE

