

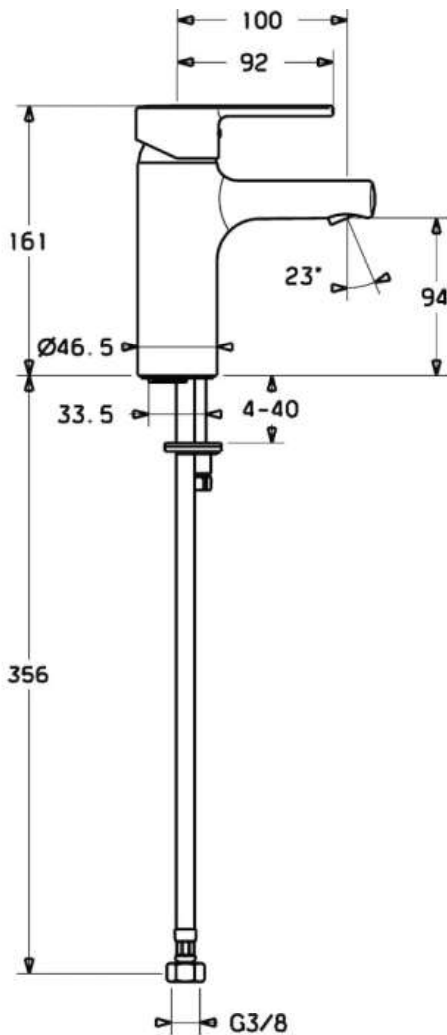
Ronda

Hansa Ronda New Basin Faucet

Code:
HRO0308 2273




- Chrome
- Single-lever, Fixed spout
- Hot & Cold Symbols
- PCA® - constant flow rate regardless of pressure variations, Hidden aerator
- Limitation option for maximum temperature and flow rate, Adjustable hot water stop (retrofittable)
- \varnothing 35 mm ceramic cartridge for flow and temperature control
- Flexible inlet pipes
- Inner body made of DZR brass, Rapid installation system



Flow Rate at 300kPa (with Flow Controller)	6.0 L/min
Hot Water Supply	max. +80°C
Working Pressure	1 - 10 bar
Connection Size	G3/8
Noise Class	I (ISO 3822)

Angle Valves:

2 x SC7103 10 50001 Female OR
2 x 97033000 Male

 DESIGNED AND ENGINEERED IN GERMANY
MANUFACTURED IN EUROPE

