

BATHINSTALLATION (If upstanded)

BETTE

PLEASE READ THESE INSTRUCTIONS CAREFULLY. FAILURE TO COMPLY WITH THE INSTRUCTIONS WILL INVALIDATE THE WARRANTY

Your new bathtub has been produced to the highest possible standards. Please inspect your bath when delivered prior to signing to ensure all is correct and not damaged.

TOOLS:

- Tape measure
- Soft pencil
- Spirit level
- Trimming knife
- Saw
- Silicone caulking gun

MAIN POINTS TO OBSERVE:

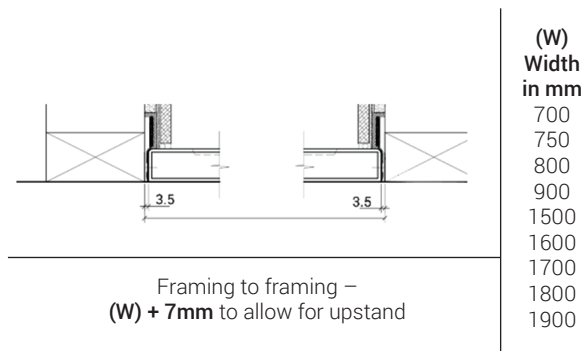
1. The bath must be fully supported with BET23-1500 feet
 2. **The bath must be level.**
 3. The bath must be recessed under the gib against the timber stud
- Use Aqualine Gib (green) or villa board to line your walls.
 - Place the bath into position. Mark around the bath with a pencil. Measure 10mm above your pencil line and cut away the gib, or villa board.
 - Reposition the bath under the cut away gib (hard against timber stud) or ensure the bath is level and fully supported.
 - For tiled walls or glass walls only. **Not suitable for Acrylic Liners**

Installer - please, when installing the bath, run an additional bead of silicon along the existing silicon and wipe clean. This will add as a third seal along with the special 3M tape and silicon bead.

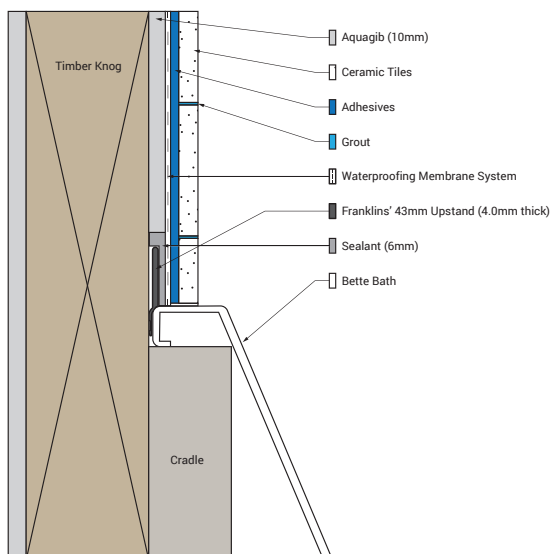
NOTE:

A waterproof seal adheres the 43mm Aluminum upstand to the tray and is then reinforced with stainless steel rivets in 100mm centres. The upstand then has additional external seal of anti-bacterial silicone applied creating an impenetrable fortress against ingress. This process has been inspected and ratified by The Wellington City Council as fit for purpose as per site report 1 1 1407 dated 18/02/09. A copy available upon request.

ALLOW FOR UPSTAND: - In Alcove situation



CROSS-SECTION OF INSTALLATION OF FACTORY FITTED UP-STAND:



It is important to protect the surface of the tray at all times when working in the showering area to prevent damage and scratching.

WARRANTY WILL BE VOID IF THE BASE IS NOT FULLY SUPPORTED

Franklins recommends that all trays be installed by a tradesman