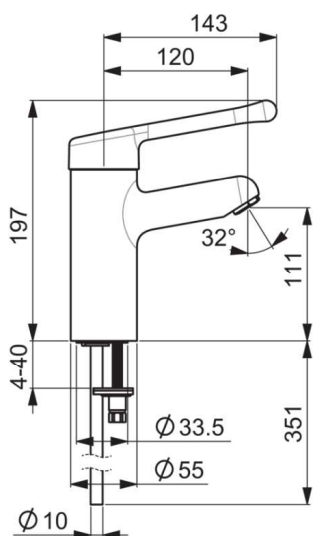


Medipro


Hansa Medipro Accessible Faucet - Long Lever Bulb

Code:
HMED0162 2196



- Chrome
- Health & Care
- Single-lever, Fixed spout, Long shape
- Laminar stream
- Hot & Cold Symbols
- Limitation option for maximum temperature and flow-rate, Adjustable hot water stop (included, retrofittable)
- \varnothing 48 mm ceramic cartridge for flow and temperature control
- Copper inlet pipes
- Waterways without nickel coating, Surfaces in contact with drinking water contain less than 0.3% lead, Inner body made of DZR brass, Rapid installation system

Flow Rate at 300kPa	6.0 L/min
Hot Water Supply	max. +80°C
Working Pressure	0.5 - 10 bar
Connection Size	\varnothing 10

 DESIGNED AND ENGINEERED IN GERMANY
MANUFACTURED IN EUROPE

