

Vario

Hansa Wall Installation Box



Code: HWI5786 0100

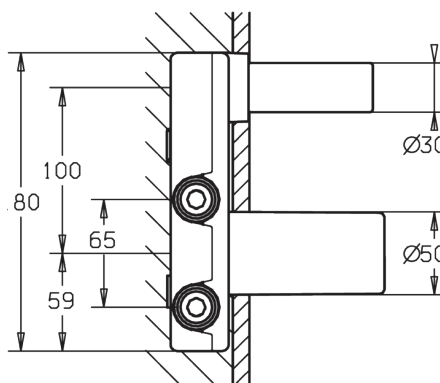
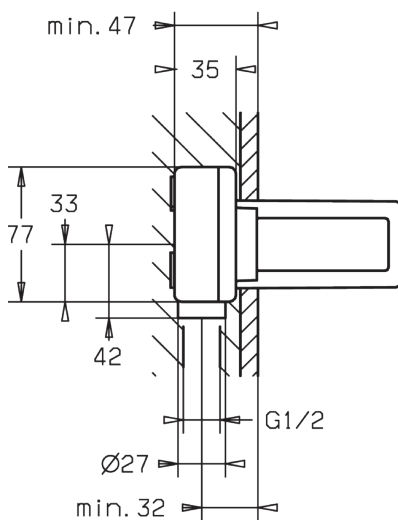
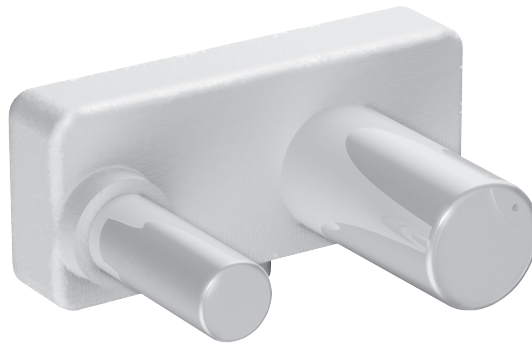
FINISH

Bathroom
Concealed unit
Body made of DZR brass

Wall Bracket: HWB59 913086

TECHNICAL PROPERTIES

DN-size (nominal dimension): DN15
Hot water supply: **max. +90°C**
Working pressure: 100 - 1000 kPa
Connection size: G1/2
DVGW: DW-6512CS0518



FUNCTION UNITS

Ligna:
HL0640 2103

Ronda:
HRO0383 2273

Designo:
HND5109 2173