

Polo

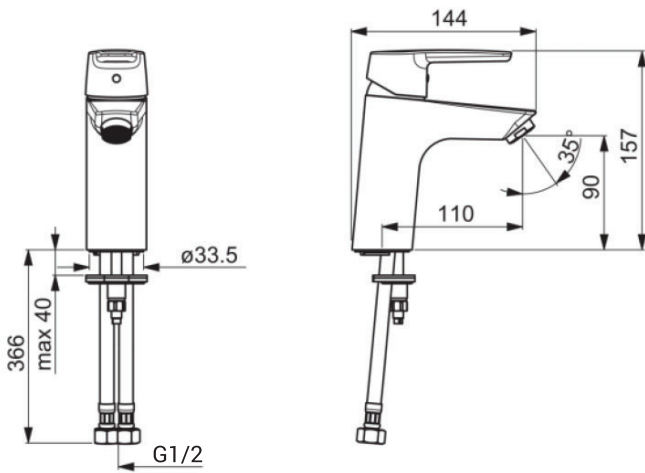
Hansa Polo New XL Basin Faucet

Code:

HPN5152 2293 0037



- Chrome
- Single-lever, Hot & Cold Symbols, Fixed spout
- PCA® - constant flow rate regardless of pressure variations
- Limitation option for maximum temperature and flow-rate, Adjustable hot water stop (retrofittable)
- ø 35 mm ceramic cartridge for flow and temperature control
- Flexible inlet pipes
- Inner body made of DZR brass, Rapid installation system



Flow Rate at 300kPa (with Flow Controller)	6.0 L/min
Hot Water Supply	max. +80°C
Working Pressure	0.5 - 10 bar
Connection size	G1/2
Noise Class	I (ISO 3822)

Angle Valves:

2 x SC7103 15 50001 Female OR

2 x 9703700 Male

 DESIGNED AND ENGINEERED IN GERMANY
MANUFACTURED IN EUROPE

