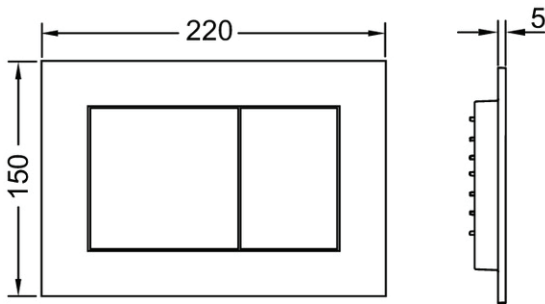
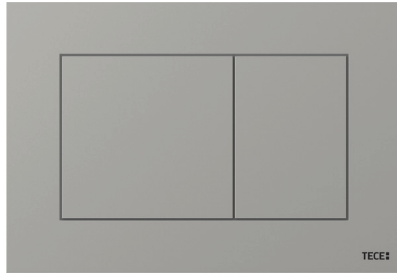


# Now

TECE Now Actuator

Code:  
9.240.XXX  
Surface Mount



- TECEnow toilet flush plate for dual-flush system
- Flush plate for TECE cisterns, for front or top actuation
- Very flat plastic flush plate, buttons with rubber inlays on both sides
- Includes actuating rods and mounting material

## Finishes Available

XXX = Colour Code

- 401 Chrome
- 402 Matt Chrome
- 407 Black

## Note:

Compatible with all cisterns

**Surface mount:** minimum 15mm between cistern and external wall lining required depth (ie: AquaGib + tiles)

(W x H x D)

220 x 150 x 5 mm



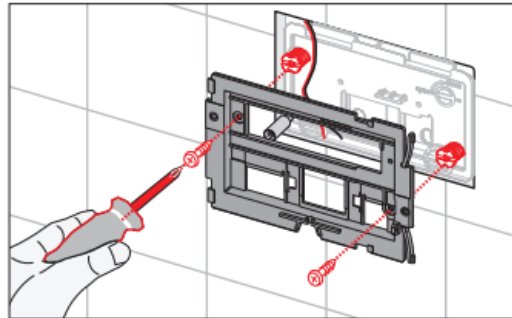
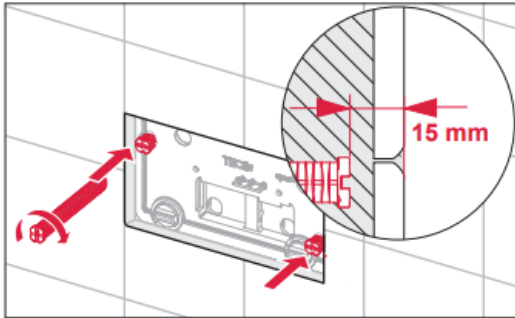
DESIGNED AND MANUFACTURED IN GERMANY



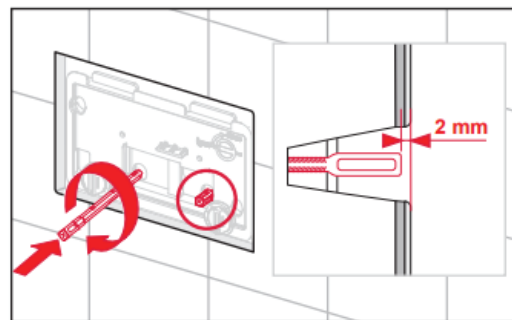
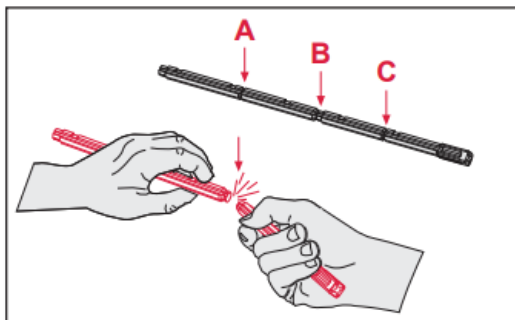
# Now

TECE Now Actuator

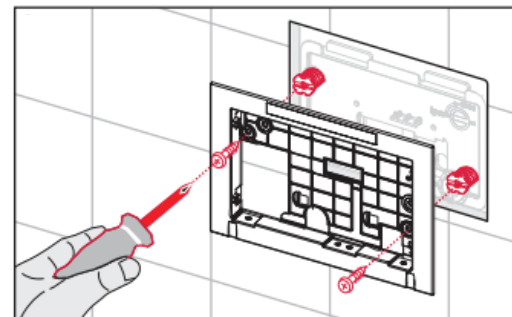
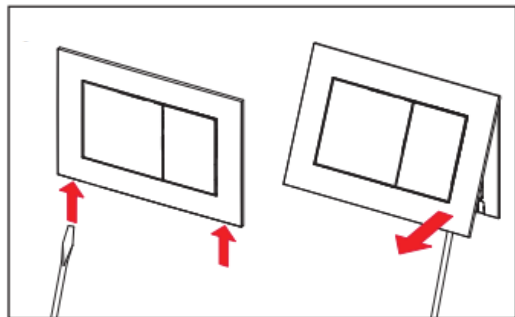
Code:  
9.240.XXX  
Surface Mount



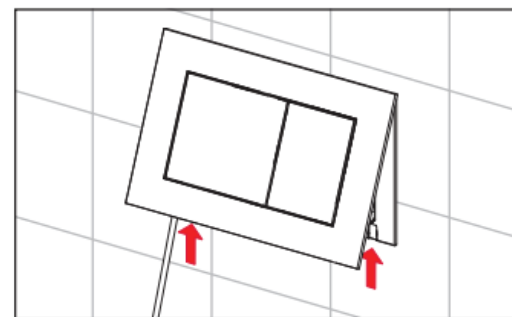
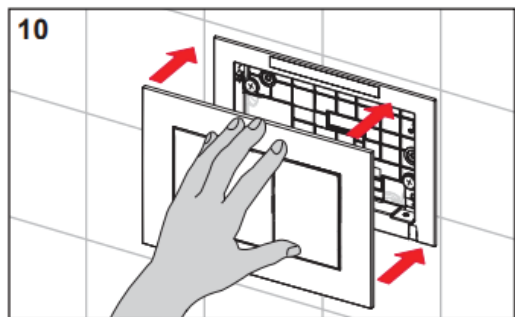
1. Wind the fixing bolts back to 15mm from the finished wall lining and then fit fixing plate.



2. Snap rod at point B and wind rod in so that it extends 2mm from the external wall lining.



3. Dislodge plate with flat head screwdriver and screw fixing plate to the fixing rods.



4. Push plate to clip into position

