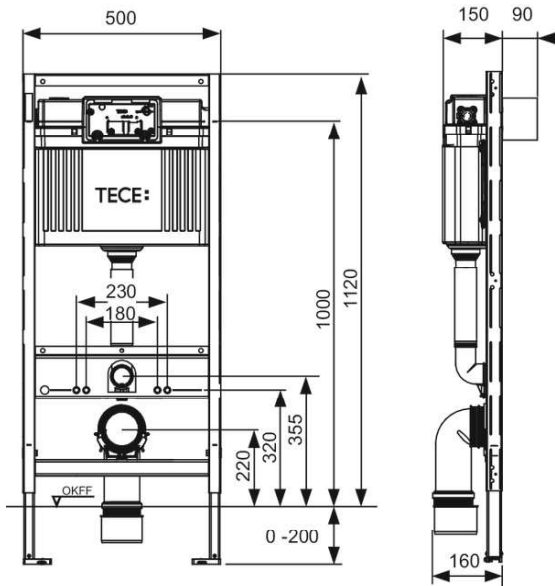


# Inwall Cisterns

TECE Inwall Cistern Fully Framed 160mm WELS 4 Star

Code:  
9.300.055



- Required 160mm wall cavity
- Frame must be installed square with vertical stud
- Cladding/sheeting must be rigid and non flexing and directly screwed or glued to the RED frame
- For use with electronic plates (Lux Mini and Planus)
- 10 litre tank volume, 6 litre pre-set standard flush volume, option of setting a 4.5 and 9 litre flush at any time, 3 litre low-volume flush for dual-flush system
- Remaining volume can be used for immediate cleaning flush
- Quiet hydraulic filling valve
- Manual flushing mechanism
- Can be set as a single or dual-flush cistern depending on the flush plate used
- Safety tank made of impact-resistant plastic
- Insulated against condensation water
- Cistern is completely preassembled in the factory
- Waste and Flush pipe with key seals included
- Certified in accordance with DIN EN 14055
- Acoustic group 1 in accordance with DIN 4109

## Note:

**Surface mount:** minimum 10mm between cistern and external wall lining required depth (ie: AquaGib + tiles)

**Flush mount:** minimum 25mm between cistern and external wall lining before finished wall. 9.240.64x sits between external wall lining and finished wall lining (ie: 2 x 13mm AquaGib then recessed frame then tile)

(L x W x H) 500 x 160 x 1120 (+200) mm  
Connection Size 1/2" Female Connection  
Top Left

 DESIGNED AND MANUFACTURED IN GERMANY

