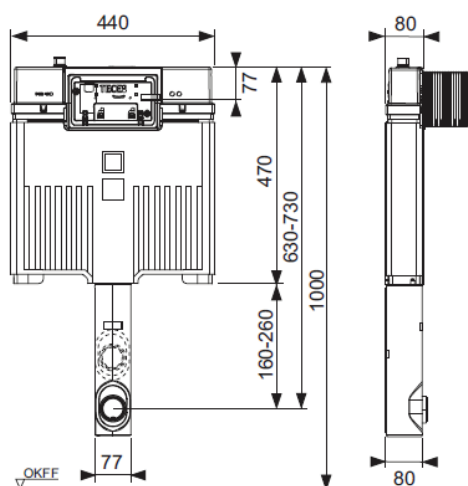


# Inwall Cisterns

TECEbox Octa II Cistern for Floor standing Toilet

Code:  
9.370.503



- Octa II cistern including "easy fit" flush plate installation for floor standing toilet; depth 8 cm; for installation in or in front of a solid wall.

Octa II cistern 8 cm for front actuation:

- Safety tank made of impact-resistant plastic, tested to DIN EN 14055
- Cistern fully pre-assembled and sealed
- Cistern connection with outer thread R 1/2" at the top, compatible with quick adapters
- 7-litre tank volume; 6-litre pre-set standard flush volume; 4.5-litre flush volume can be set at any time; 3-litre partial flush volume for dual-flush system; optional setting of a 4/2 litre flush volume possible.
- Insulated against condensation water
- for TECE flush plates and toilet flush handle
- Can be used as a single or dual-flush cistern
- "easy fit" flush plate installation
- Installation tunnel for service opening, can be shortened without tools
- Quiet hydraulic filling valve, acoustic group 1 in accordance with DIN 4109
- Flush pipe connection set

 DESIGNED AND MANUFACTURED IN GERMANY

## Note:

Surface mount: minimum 10mm between cistern and external wall lining required depth (ie: AquaGib + tiles)

Flush mount: minimum 25mm between cistern and external wall lining before finished wall. 9.240.64x sits between external wall lining and finished wall lining (ie: 2 x 13mm AquaGib then recessed frame then tile)

