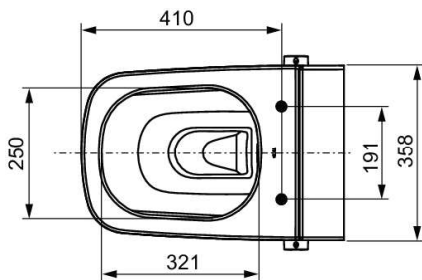
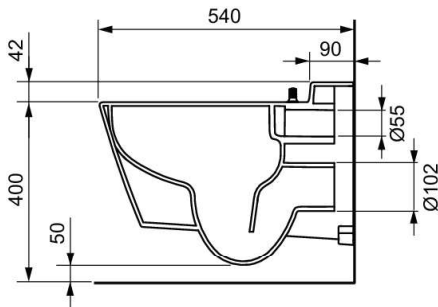
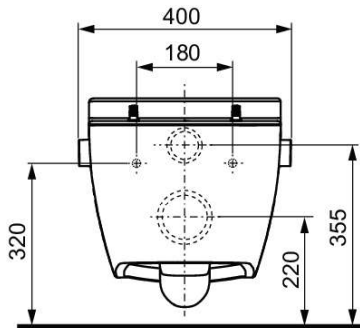


# One

TECE One Wall Hung Shower Toilet Pan White  
540mm

Code:  
9.700.200 KIT



**Note:** Cannot be used with TECE Lux. Does not require a power source but does require 1 additional cold water feed and 1 hot water feed.

- TECEone toilet ceramics with shower function
- Rimless toilet ceramic with integrated shower function to clean bottoms comfortably with water
- Shower function operates without electricity using warm and cold water connections installed on site
- Wall-mounted toilet vitreous china

### Shower Function Features:

- Intuitively control the water temperature and quantity using the integrated rotary selector switches
- Continuously adjust the amount of water up to 5.6 litre/min
- Water temperature individually, continuously adjustable (10-38 °C)
- Self-cleaning shower nozzles
- Replaceable shower nozzle caps
- In accordance with DIN EN 1717 ensuring no backflow can occur
- Minimum flow pressure 1 bar (max. 10 bar)

### Toilet Ceramic Features:

- Wall-mounted toilet pan for 6 and 4,5 litre flush volume
- Compact design - depth from the wall 540 mm, mounting area 180 mm
- Concealed wall mounting and concealed water connections
- Rimless ceramic bowl with integrated splash guard
- Pre-assembled secure toilet seat attachment for TECEone toilet seat with lid
- Optimal hygienic ceramic design with fewer corners, edges and joins
- In accordance with DIN EN 997

(L x W x H) **540 x 358 x 400 mm**  
Connection Size (Inlet) **1/2" Female Connection**  
1 x Male Wingback (Hot-L) **1/2" Male Connection**  
1 x Male Wingback (Cold-R) **1/2" Male Connection**  
\*\* Wingbacks supplied by plumber

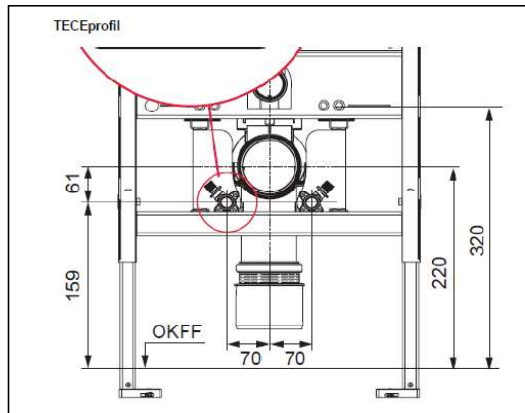
 DESIGNED AND MANUFACTURED  
IN GERMANY



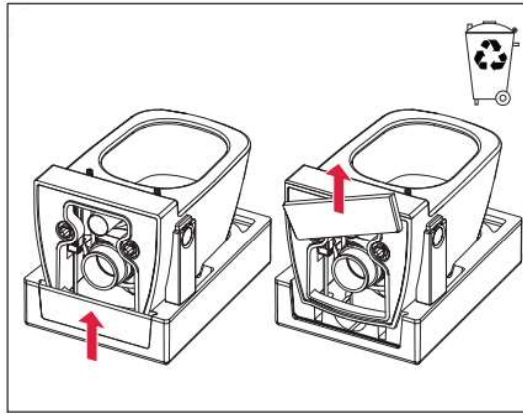
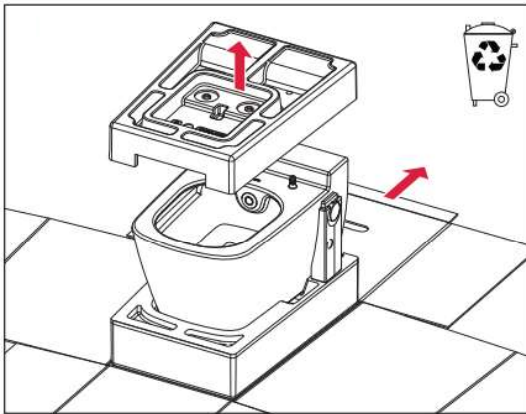
# One

TECE One Wall Hung Shower Toilet Pan White  
540mm

Code:  
9.700.200 KIT

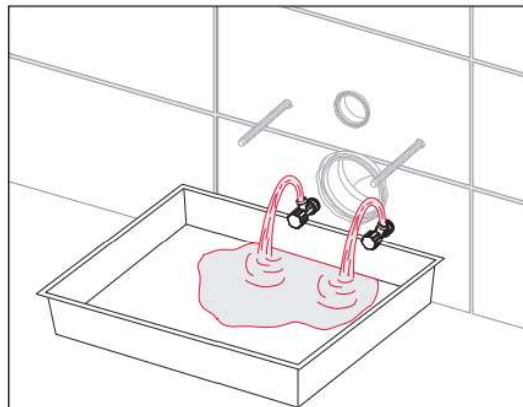
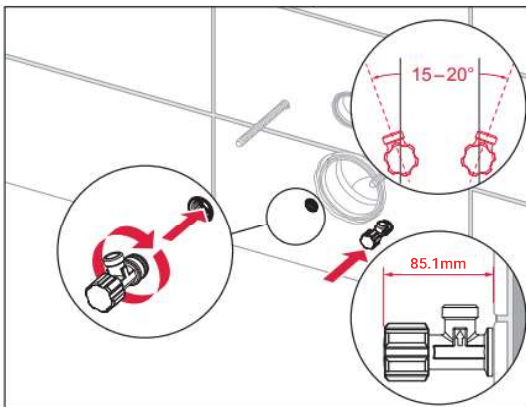


1. Set wingbacks up 61mm below and 70mm to the left and right the centre of the waste pipe.
  - Hot on the left
  - Cold on the right



2. Do not rip the box apart when opening packaging. This is designed to help with the installation.

Take the lid off and then the back polystyrene piece. Recycle this waste.



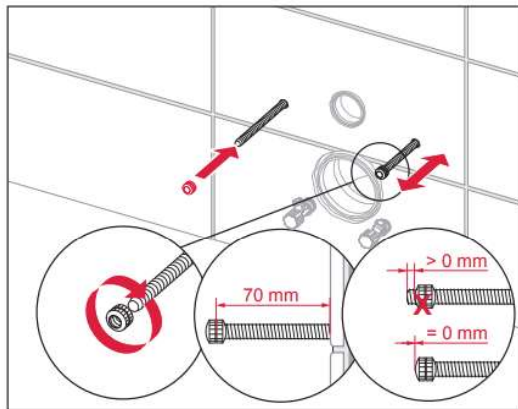
- 3a. Fit Schlösser female angle valves (2 x SC7103 10 50001) on a 15-20 degree angle outwards for ease of connecting flexihoses. These are to be no longer than 85.1mm

- 3b. Test for leaks

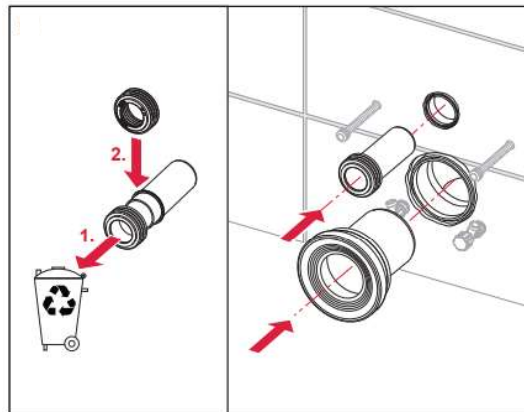
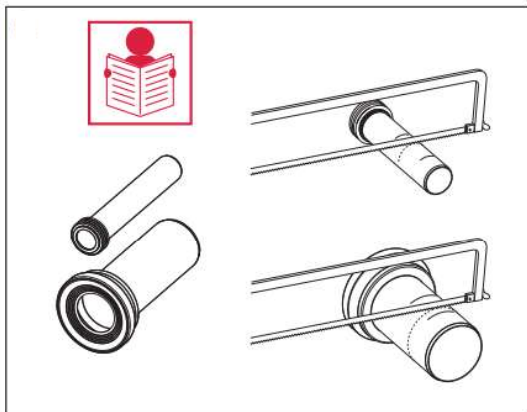
# One

TECE One Wall Hung Shower Toilet Pan White  
540mm

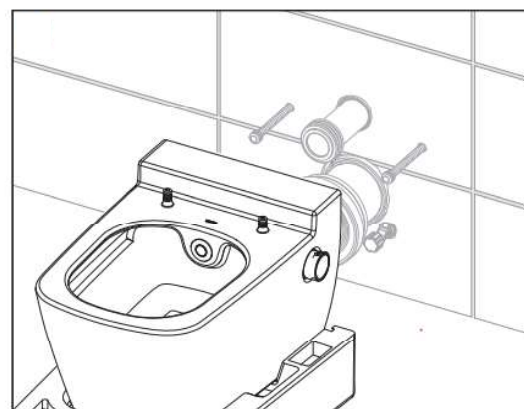
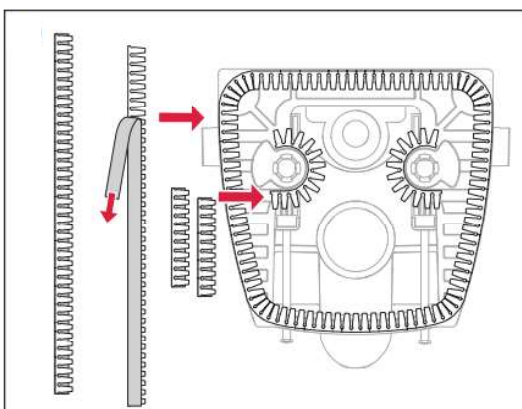
Code:  
9.700.200 KIT



4. Screw nuts onto threaded rods to support pan. There is a centre line in the nut and this should be 70mm from the wall. Do not screw these nuts in any further than the tip of the rod.



5. Cut flush pipe and waste pipe to required length. Chamfer as required. Using medlube push these into position.

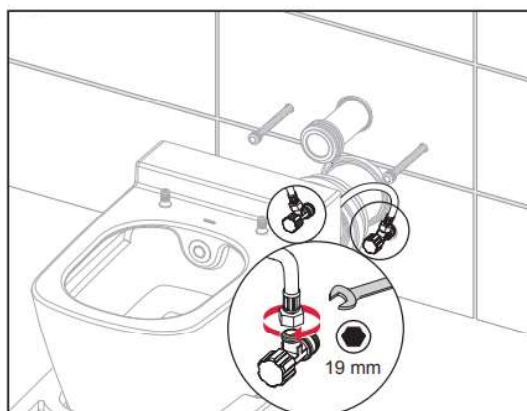
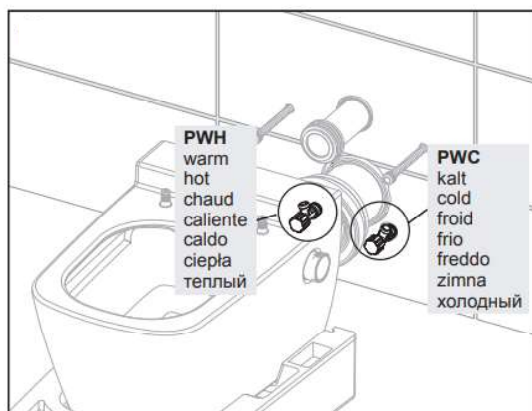


6. Peel adhesive strip back and bring pan close into wall

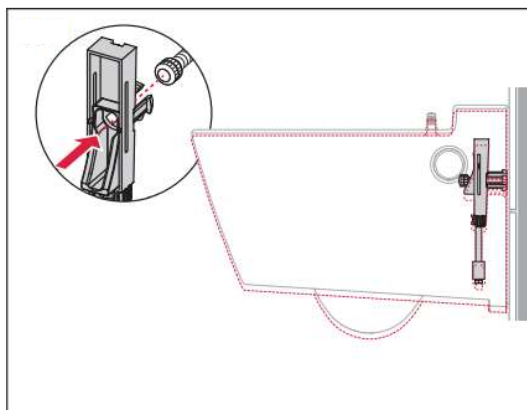
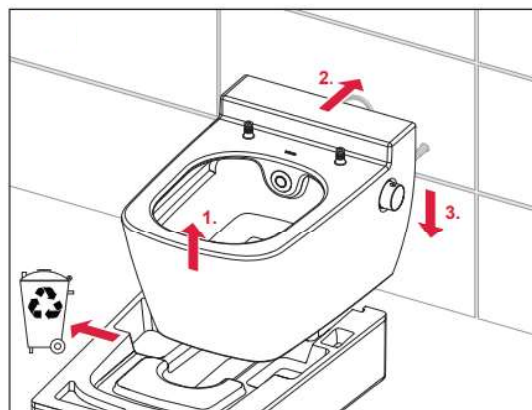
# One

TECE One Wall Hung Shower Toilet Pan White  
540mm

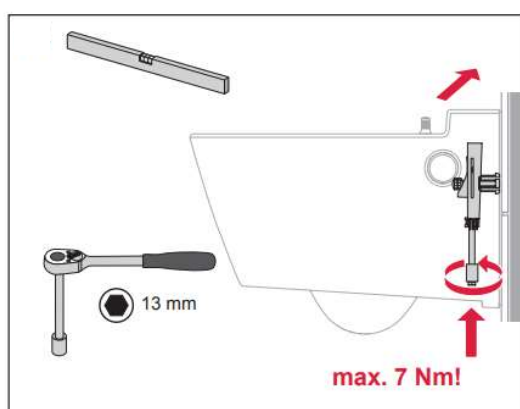
Code:  
9.700.200 KIT



7. Connect hot and cold flexihoses to angle valves using 19mm crescent and open the angle valve.



8. Lift pan up and push back onto supporting rods and push the pan down into position firmly against the wall.

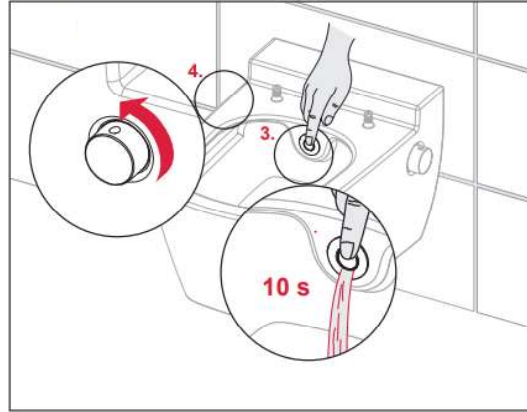
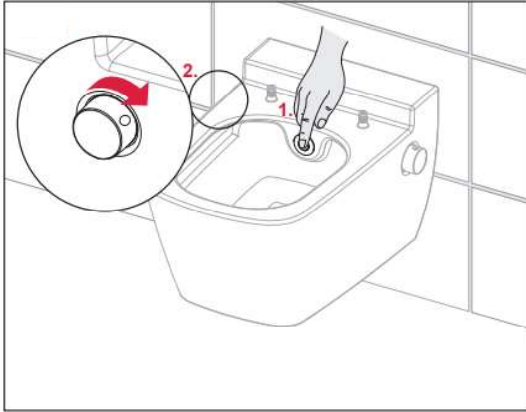


9. Using a 13mm torque ratchet tighten this to 7Nm and ensure the pan is sitting level.

# One

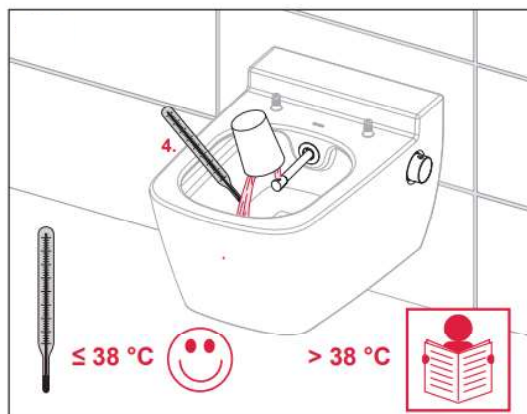
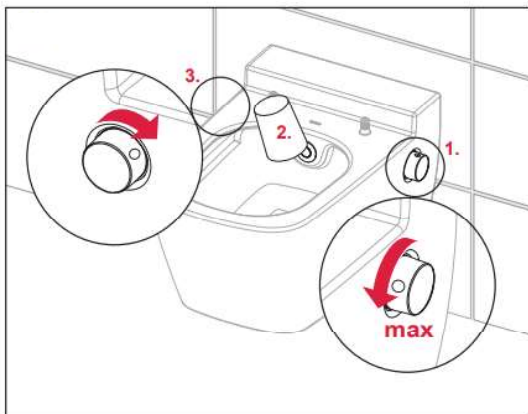
TECE One Wall Hung Shower Toilet Pan White  
540mm

Code:  
9.700.200 KIT



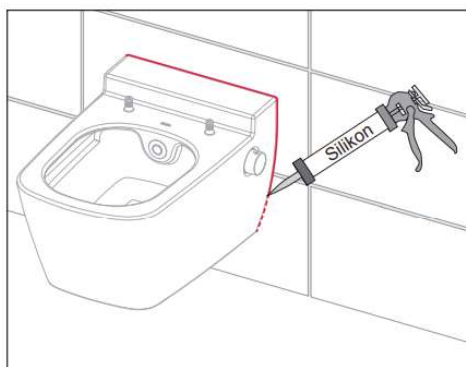
**10a.** To test the wand function, put your finger over the outlet and turn on. This is normal that the wand will not come out.

**10b.** Hold this for 10 seconds and then turn off.



**11.** Turn the temperature dial to 38°C and using a cup to block the wand then engage the on switch on the left hand side. Test the temperature with a thermometer to ensure the thermostat is functioning correctly. This should not exceed 38°C.

\*\*The thermostat is pre-adjusted ex-factory at 38°C



**12.** Neatly silicone the pan back to the finished wall ready for fitting the toilet seat as standard.