

S Series

Eton S11 Rimless Disabled Compliant Wall Faced Suite

Code:
ET.S11 SUITE RIMEX

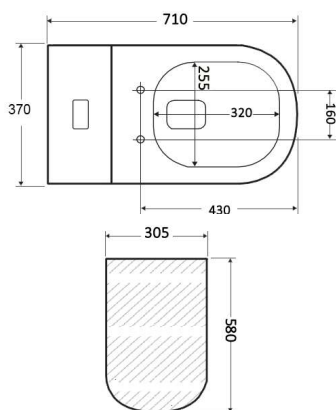
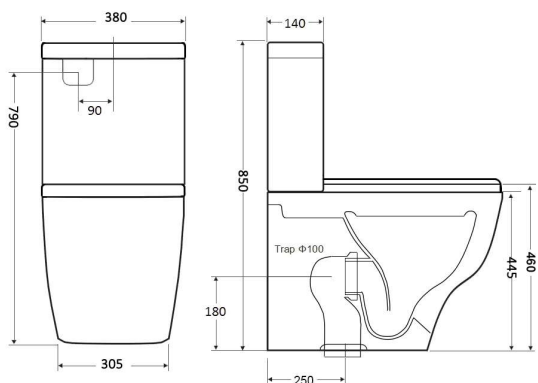


- White
- Ceramic material
- Includes soft close toilet seat
- Includes Nano Glaze technology for easy cleaning
- Rimless **R**
- With standard button or disabled button option
- Note: Universal for both rear inlet and bottom inlet (left and right)
- 460mm to top of seat

(L x W x H) 710 x 370 x 850 mm

Angle Valve:

1 x SC7103 15 50001 Female



NZS4121:2001 Compliant
No backrest for seat required

