

PLEASE READ THESE INSTRUCTIONS CAREFULLY. FAILURE TO COMPLY WITH THE INSTRUCTIONS WILL INVALIDATE THE WARRANTY

Your new vanity has been produced to the highest possible standards. Please inspect your tray when delivered prior to signing to ensure all is correct and not damaged.

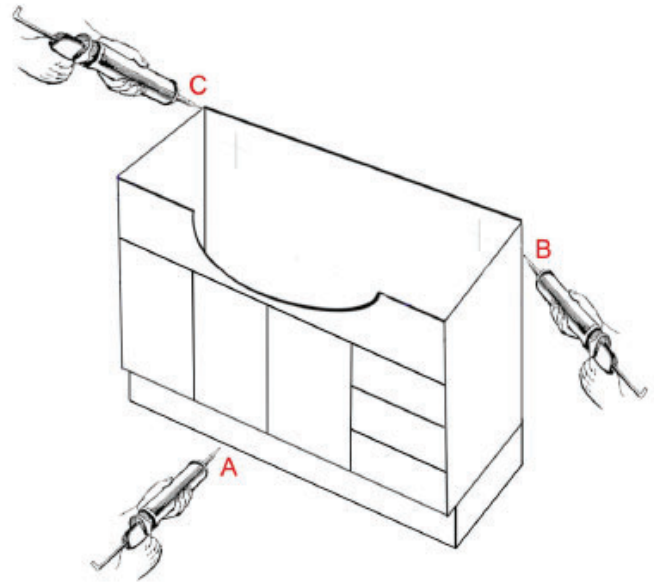
## TOOLS:

- Drill and drill bits
- Spirit level
- Tape measure
- Caulking gun
- Masking tape
- Screws
- Screwdriver
- Silicone sealant
- Cleaning materials
- Pencil

The cabinet should be fitted to a solid horizontal plate (minimum 75mm x 50mm) or vertical studs in the wall using four 10g x 75mm countersunk screws each with a 20mm diameter washer positioned as per diagram.

Position screws a minimum of 75mm from the left and right walls of the cabinet and 50mm down from the top of the cabinet.

## VANITIES:



## STEP ONE:

Having established the position you want the vanity cabinet mark a level line on the wall where the vanity will sit. Mark and drill the holes for your plumbing fixtures, i.e. waste outlet and hot and cold water inlets.

Find the horizontal plate, and wall stud or nog and measure down from the pencil mark on the wall to identify the positioning for two points (as per front page diagram) where the screws will anchor the vanity to the timber behind the wall.

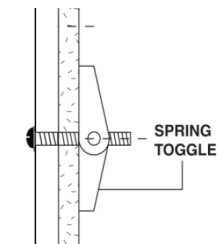
## STEP TWO:

Place the vanity in position. Level the vanity, aligning the top of the cabinet with the previously marked line.

Ensure that the carcass is not twisted or the doors and drawers not racked out of alignment. Realignment of the doors and drawers is possible by using the adjustment screws on both the drawers and doors.

## STEP THREE:

Fix the vanity to the wall through the back of the cabinet. The fixings should be into a wall stud or nog. If you are unable to locate anything solid in the wall to fix the vanity to, we recommend that you use a toggle or similar system.



**SPRING TOGGLE:** for use in cavity (hollow) walls

## STEP FOUR:

Once the vanity is fixed in position and you have checked that it is level and the doors and drawers are correctly aligned, silicon around the perimeter of the vanity unit, i.e. where the cabinet meets the walls and floor (positions A and B with caulking gun).

It is recommended that the top be fixed onto the cabinet with silicon. This will ensure the top will not move once installed. The silicon should be applied to the top of both side panels as well as the top of the back and face panels (position C with caulking gun).

Vanity tops, basins and cabinets that sit against the wall need to be sealed between the wall and the product using silicon.

Mask around the area to be sealed using masking tape and leave a big enough gap between the tape to apply the silicon. For a professional finish, smooth silicon off with a gloved finger and remove the tape before the silicon sets.

## FOR FURTHER INFORMATION:

Franklins  
Head Office: 4-6 Waiouru Road,  
Highbrook Business Park, Auckland 2013  
P.O. Box 204426 Highbrook, Auckland  
Telephone: 09 238 9179  
Email: [info@franklins.co.nz](mailto:info@franklins.co.nz)  
Website: [www.franklins.co.nz](http://www.franklins.co.nz)

PLEASE READ THESE INSTRUCTIONS CAREFULLY. FAILURE TO COMPLY WITH THE INSTRUCTIONS WILL INVALIDATE THE WARRANTY

## DRAWER INSTRUCTIONS: REMOVAL AND REPLACEMENT

A drawer is inserted into the vanity by simply locating it on the runners and pushing it in. Two catches automatically lock the drawer onto the runners, preventing accidental removal.

To remove the drawer, the catches are pressed inward allowing the drawer to be pulled forward and lifted off the runners.



## ASSEMBLY AND FINE ADJUSTMENT

### UNCOMPLICATED FRONT PANEL REPLACEMENT:



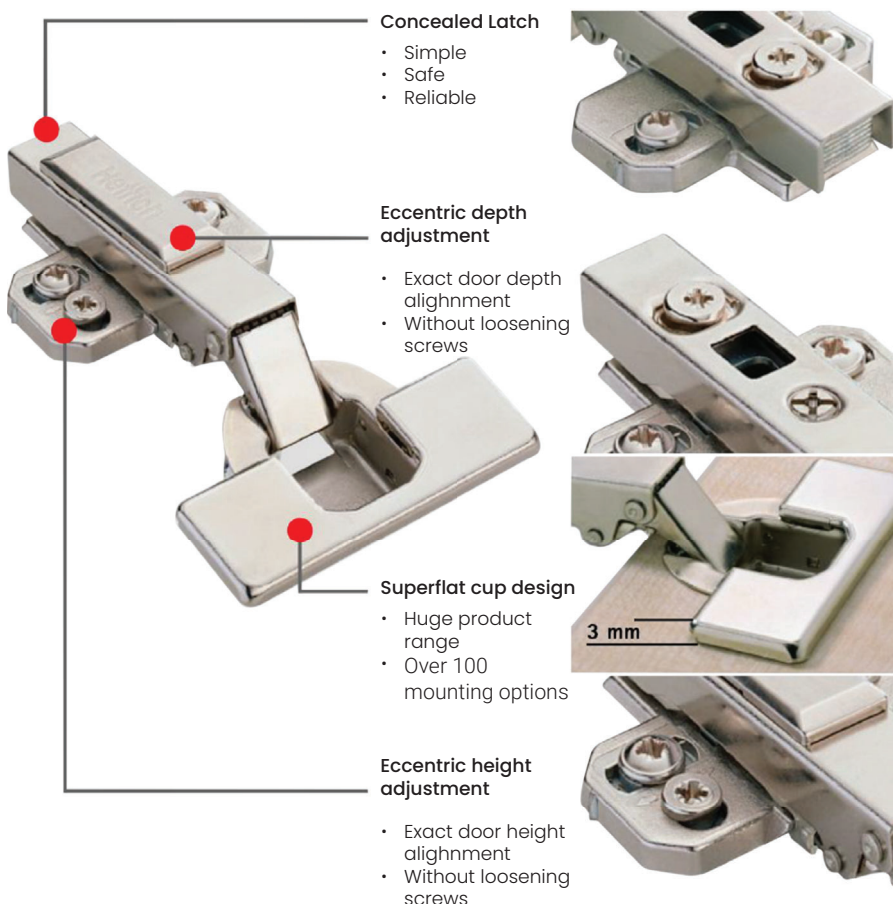
An easy-find blue button makes it simple to remove and reattach a front panel. You can replace a damaged front panel in a matter of minutes, saving time, effort and costs.

## HINGE INSTRUCTIONS

The diagram below shows the adjustment screws for height and depth adjustment of the cabinet doors.

### Sophisticated hinge technology made by Hettich.

It's external appearance indicates quality. Long service life and great ease of use round off the hinge profile.

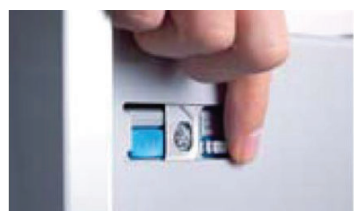


### FAST, PRECISE FRONT PANEL ADJUSTMENT:



A handy thumbwheel takes care of height adjustment to +/- 2mm. It is practical, precise and tool less. Side adjustment by +/- 1.5mm (from one side only) is equally simple.

### FAST, PRECISE FRONT PANEL ADJUSTMENT:



Adjustments to the angle of the drawer front panel are also easy and tool less. A gentle twist to the railing is all that's needed.

Franklin's offer the customer a choice of vanity bowls for the Tabella Bathroom Furniture ranges. When a Tabella vanity is ordered, you need to add the following information to the order:

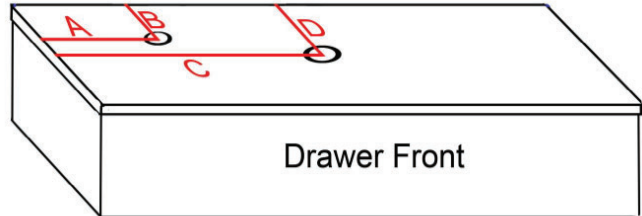
- The positioning of the basin mixer
- The positioning of the vanity bowl
- Diameter of the holes required for the basin mixer and bowl

Please be accurate with you measurements.

The measurements are from both the left side and back of the Silestone top to the centre of the tap and waste holes (refer to diagram).

Please complete the form below submit with your order.

**TABELLA SPECIAL INSTRUCTIONS:**



Customer Name: \_\_\_\_\_

SORD#: \_\_\_\_\_

Basin Mixer Measurement (A) \_\_\_\_\_  
(B) \_\_\_\_\_

Diameter of hole: \_\_\_\_\_

Basin / Bowl Measurement (A) \_\_\_\_\_  
(B) \_\_\_\_\_

Diameter of Hole: \_\_\_\_\_

**IF YOU HAVE ANY QUESTIONS:**

Telephone: 09 238 9179  
Email: [info@franklins.co.nz](mailto:info@franklins.co.nz)

**DIAGRAM IF REQUIRED:**