

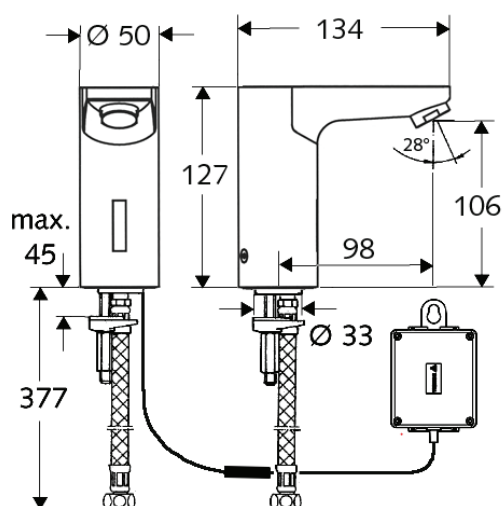
Celis E

Schell Celis E Basin Tap E-K Infrared Cold /
Premixed Water

Code:

S0123006

Battery Operated



- (High-pressure cold water) battery operation
 - Suitable for connection with SWS, capable of being parameterised by SSC
 - Vandal-resistant all-metal design
 - Infrared sensor single hole tap
 - Electronic module programmable
 - Connection cable (250 mm) with plug protection class IP 65
 - Cartridge solenoid valve 6 V
 - External battery compartment with mit 4 x 1,5 V Mignon AA, ca. 210 mm
 - Flexible connection hose Clean-Fix S G 3/8 internal thread x 380 mm and pre-filter
 - Flow regulator
 - Wash basin mounting accessories
-
- Flow volume: max. 5 l/min independent of pressure
 - Flow pressure: 1 to 5 bar
 - Max. resting pressure 8 bar
 - Water temperature max. 70°C (80°C permissible for 10 min./day)
 - Adjustable hand programming
 - Sensor range: short, medium, long
 - Stagnation flush program (duration of flow 30s, 24 h after last use/ every 24 h)
 - Flow time of continuous flush for thermal disinfection (duration of flow 300 s / duration of flow 120 s)
 - Cleaning stop 60 s



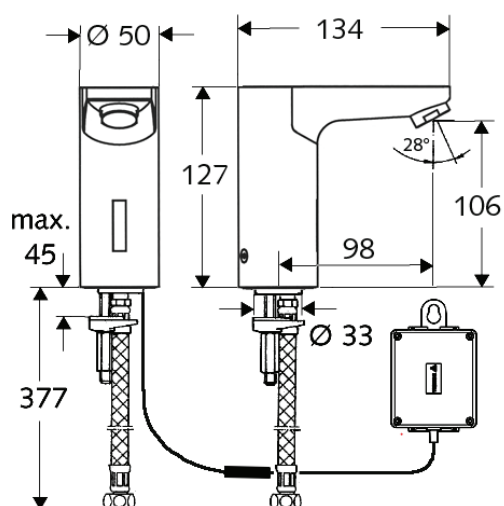
Celis E

Schell Celis E Basin Tap E-K Infrared Cold / Premixed Water

Code:

S0123006

Battery Operated



- Flow time adjustment via SWS/SSC
 - Max. flow time 1 - 360 s
 - Post-run time 0,6 - 60 s
 - Stagnation flush time 5 - 600 s
 - Stagnation flush intervals 1 - 240 h
 - Flow time for thermal disinfection 15 - 600 s
 - Duration of flow 15 - 600 s
 - Energy saving mode activated 1 - 254 h
 - Cleaning stop 60 - 360 s

- Material: housing out of brass conform German drinking water regulation
- Noise Class: I
- Surface: chrome
- Weight: 2.02 kg/pc.
- Packaging unit: 1

- RECOMMENDED ASSOCIATED ITEM:
 - SSC Bluetooth®-Module 00 916 00 99
 - Extension cable 1,5 m 51 010 00 99
 - Angle valve with regulating function COMFORT with filter 05 430 06 99

 DESIGNED AND MANUFACTURED IN GERMANY

