

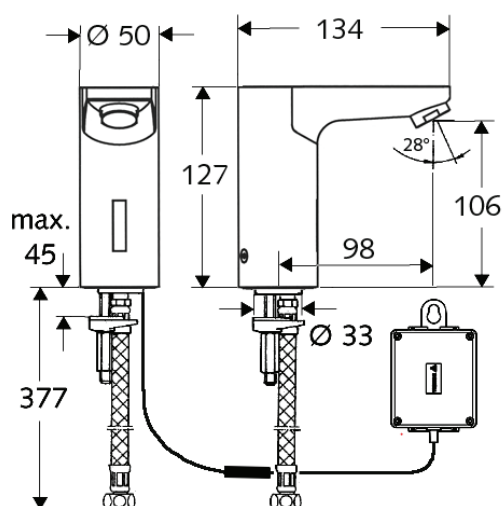
# Celis E

Schell Celis E Basin Tap E-K Infrared Cold / Premixed Water

Code:

S0124406

Mains Operated



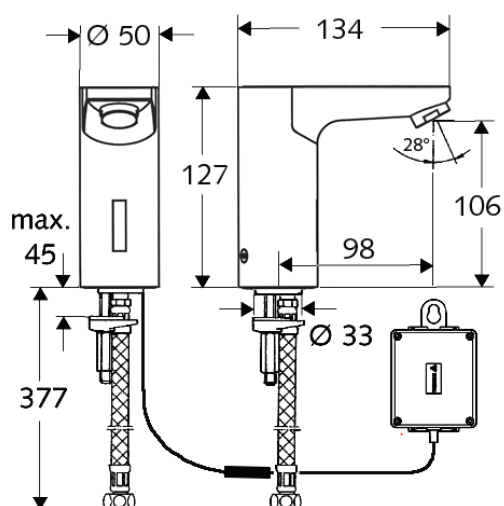
- (High-pressure cold water) mains operation
- Suitable for connection with SWS, capable of being parameterised by SSC
- Vandal-resistant all-metal design
- Concealed transformer 100 - 240 V, 50 - 60 Hz
- Infrared sensor single hole tap
- Electronic module programmable
- Connection cable (250 mm) with plug protection class IP 65
- Cartridge solenoid valve 6 V
- Flexible connection hose Clean-Fix S G 3/8 internal thread x 380 mm and pre-filter
- Flow regulator
- Wash basin mounting accessories
- Flow volume: max. 5 l/min independent of pressure
- Flow pressure: 1 to 5 bar
- Max. resting pressure 8 bar
- Water temperature max. 70°C (80°C permissible for 10 min./day)
- Adjustable hand programming
  - Sensor range: short, medium, long
  - Stagnation flush program (duration of flow 30s, 24 h after last use/ every 24 h)
  - Flow time of continuous flush for thermal disinfection (duration of flow 300 s / duration of flow 120 s)
  - Cleaning stop 60 s



# Celis E

Schell Celis E Basin Tap E-K Infrared Cold /  
Premixed Water

Code:  
S0124406  
Mains Operated



- Flow time adjustment via SWS/SSC
  - Max. flow time 1 - 360 s
  - Post-run time 0.6 - 60 s
  - Stagnation flush time 5 - 600 s
  - Stagnation flush intervals 1 - 240 h
  - Flow time for thermal disinfection 15 - 600 s
  - Duration of flow 15 - 600 s
  - Energy saving mode activated 1 - 254 h
  - Cleaning stop 60 - 360 s

- Material: housing out of brass conform German drinking water regulation
- Noise Class: I
- Surface: chrome
- Weight: 2.06 kg/pc.
- Packaging unit: 1

- RECOMMENDED ASSOCIATED ITEM:
  - SSC Bluetooth®-Module 00 916 00 99
  - Extension cable 1,5 m 51 010 00 99
  - Angle valve with regulating function COMFORT with filter 05 430 06 99

 DESIGNED AND MANUFACTURED IN GERMANY

