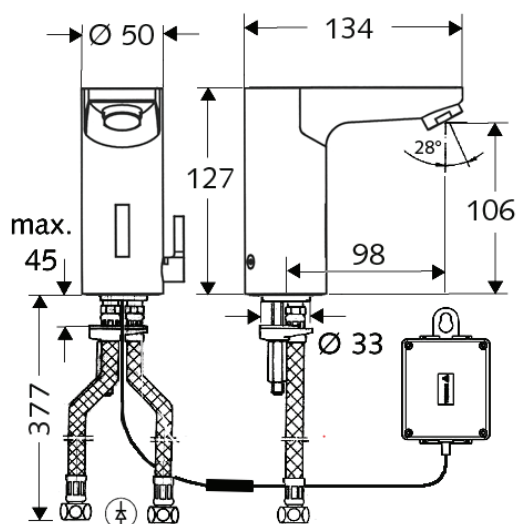


Celis E

Schell Celis E Basin Tap E-M Infrared Mixed Water

Code:
S0124506
Mains Operated



- (High-pressure mixed water) mains operation
- Suitable for connection with SWS, capable of being parameterised by SSC
- Vandal-resistant all-metal design
- Concealed transformer 100 - 240 V, 50 - 60 Hz
- Compact infrared sensor single hole tap with temperature controller
- Electronic module programmable
- Connection cable (250 mm) with plug protection class IP 65
- Cartridge solenoid valve 6 V
- 2 flexible connection hoses Clean-Fix S G 3/8 internal thread x 380 mm with integrated backflow preventer (RV, DIN EN 1717:EB) and pre-filter
- Flow regulator
- Wash basin mounting accessories

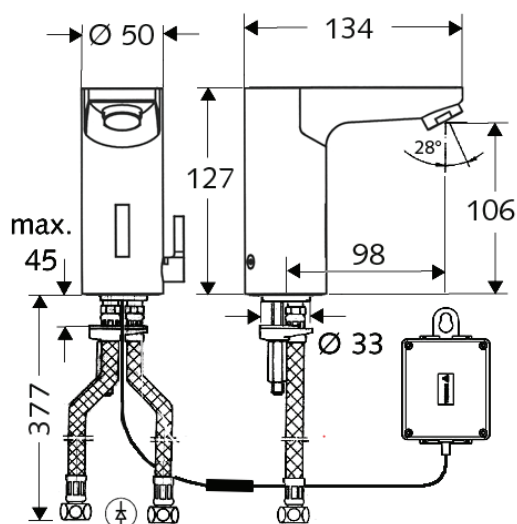
- Flow volume: max. 5 l/min independent of pressure
- Flow pressure: 1 to 5 bar
- Max. resting pressure 8 bar
- Water temperature max. 70°C (80°C permissible for 10 min./day)



Celis E

Schell Celis E Basin Tap E-M Infrared Mixed Water

Code:
S0124506
Mains Operated



- Adjustable hand programming
 - Sensor range: short, medium, long
 - Stagnation flush program (duration of flow 30s, 24 h after last use/ every 24 h)
 - Flow time of continuous flush for thermal disinfection (duration of flow 300 s / duration of flow 120 s)
 - Cleaning stop 60 s
- Flow time adjustment via SWS/SSC
 - Max. flow time 1 - 360 s
 - Post-run time 0,6 - 60 s
 - Stagnation flush time 5 - 600 s
 - Stagnation flush intervals 1 - 240 h
 - Flow time for thermal disinfection 15 - 600 s
 - Duration of flow 15 - 00 s
 - Energy saving mode activated 1 - 254 h
 - Cleaning stop 60 - 360 s
- Material: housing out of brass conform German drinking water regulation
- Noise Class: I
- Surface: chrome
- Weight: 2.06 kg/pc.
- Packaging unit: 1

 DESIGNED AND MANUFACTURED IN GERMANY

