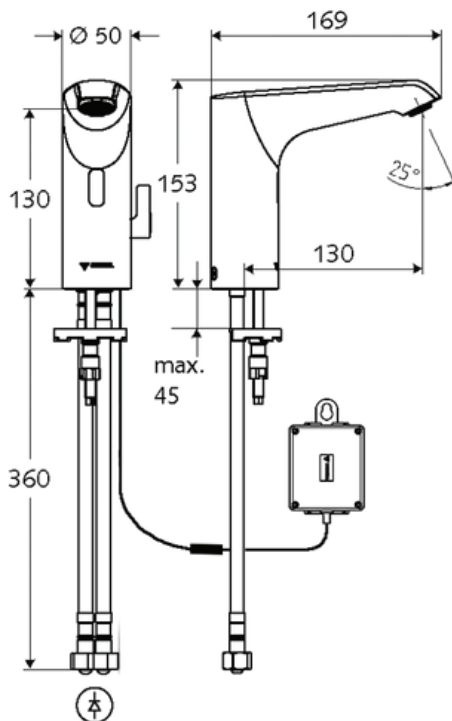


Xeris E

Schell Xeris E Basin Tap E-M Infrared Mixed Water

Code:
S0125406
Mains Operated



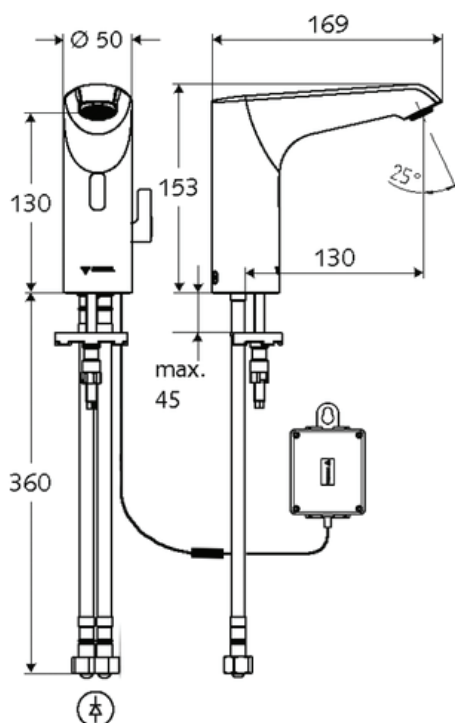
- (High pressure mixed water) mains operation
 - Suitable for connection with SWS, capable of being parameterised by SSC with transformer 100 - 240 V, 50 - 60 Hz.
 - Infrared sensor single hole tap with temperature controller
 - Electronic module programmable
 - Connection cable (length 220 mm) with plug protection class IP 65
 - Axial solenoid valve 6 V
 - 2 flexible connection hoses Clean-Fix S G 3/8 int. thread x 400 mm with backflow preventer (BP, DIN EN 1717:EB) and pre-filter
 - Flow regulator
 - Wash basin mounting accessories
-
- Flow volume: max. 5 l/min independent of pressure
 - Flow pressure: 1 to 5 bar
 - Max. resting pressure 8 bar
 - Water temperature max. 70°C (80°C permissible for 10 min./day)
 - Adjustable hand programming
 - Sensor range: short, medium, long
 - Stagnation flush program (duration of flow 30s, 24 h after last use/ every 24 h)
 - Flow time of continuous flush for thermal disinfection (duration of flow 300 s / duration of flow 120 s)
 - Cleaning stop 60 s



Xeris E

Schell Xeris E Basin Tap E-M Infrared Mixed Water

Code:
S0125406
Mains Operated



- Flow time adjustment via SWS/SSC
 - Max. flow time 1 - 360 s
 - Post-run time 0,6 - 60 s
 - Stagnation flush time 5 - 600 s
 - Stagnation flush intervals 1 - 240 h
 - Flow time for thermal disinfection 15 - 600 s
 - Duration of flow 15 - 600 s
 - Energy saving mode activated 1 - 254 h
 - Cleaning stop 60 - 360 s

- Material: housing out of brass, plastic water supply
- Test Mark: P-IX 29072/IO, WELL Public
- Surface: chrome
- Weight: 1.87 kg/pc.
- Packaging unit: 1

- RECOMMENDED ASSOCIATED ITEM:
 - SSC Bluetooth®-Module 00 916 00 99
 - Angle valve thermostat 09 406 06 99
 - Angle valve with regulating function COMFORT with filter 05 430 06 99

 DESIGNED AND MANUFACTURED IN GERMANY

