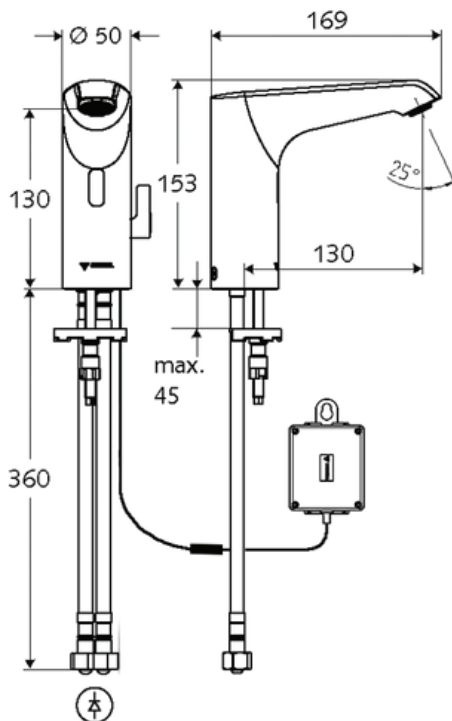


# Xeris E

Schell Xeris E Basin Tap E-M Infrared Mixed Water

Code:  
S0129706  
Battery Operated



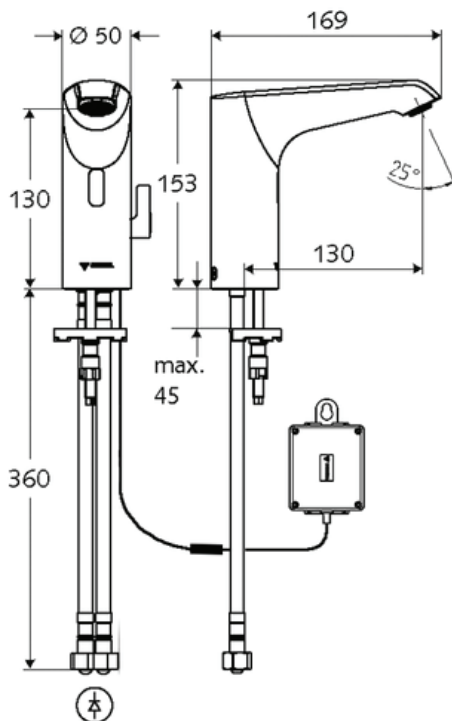
- (High pressure mixed water) battery operation
- Suitable for connection with SWS, capable of being parameterised by SSC.
- Infrared sensor single hole tap with temperature controller
- Electronic module programmable
- Connection cable (length 220 mm) with plug protection class IP 65
- Axial solenoid valve 6 V
- External battery compartment
- 4 x AA alkaline batteries
- 2 flexible connection hoses Clean-Fix S G 3/8 int. thread x 400 mm with backflow preventer (BP, DIN EN 1717:EB) and pre-filter
- Flow regulator
- Wash basin mounting accessories
- Flow volume: max. 5 l/min independent of pressure
- Flow pressure: 1 to 5 bar
- Max. resting pressure 8 bar
- Water temperature max. 70°C (80°C permissible for 10 min./day)
- Adjustable hand programming
  - Sensor range: short, medium, long
  - Stagnation flush program (duration of flow 30s, 24 h after last use/ every 24 h)
  - Flow time of continuous flush for thermal disinfection (duration of flow 300 s / duration of flow 120 s)
  - Cleaning stop 60 s



# Xeris E

Schell Xeris E Basin Tap E-M Infrared Mixed Water

Code:  
S0129706  
Battery Operated



- Flow time adjustment via SWS/SSC
  - Max. flow time 1 - 360 s
  - Post-run time 0,6 - 60 s
  - Stagnation flush time 5 - 600 s
  - Stagnation flush intervals 1 - 240 h
  - Flow time for thermal disinfection 15 - 600 s
  - Duration of flow 15 - 600 s
  - Energy saving mode activated 1 - 254 h
  - Cleaning stop 60 - 360 s

- Material: housing out of brass, plastic water supply
- Test Mark: P-IX 29072/IO, WELL Public
- Surface: chrome
- Weight: 2.04 kg/pc.
- Packaging unit: 1

- RECOMMENDED ASSOCIATED ITEM:
  - SSC Bluetooth®-Module 00 916 00 99
  - Angle valve thermostat 09 406 06 99
  - Angle valve with regulating function COMFORT with filter 05 430 06 99

 DESIGNED AND MANUFACTURED IN GERMANY

