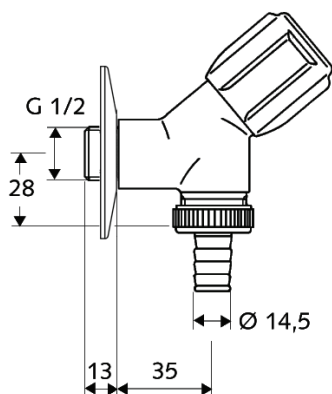


Angle Valves

Schell Male Washing Machine Tap with Barb
Tail 1/2" x 3/4"

Code:
S0338606



- With COMFORT handle und grease chamber head part
- Inclined-seat valve COMFORT handle
- Rosette Ø 54 mm, height 3 mm
- Backflow preventer (BP, EN 1717: EB))
- Hose screw connection

- Material: brass conform German drinking water regulation
- Surface: chrome
- Weight: 0.37 kg/pc.
- Packaging unit: 1
- Dimension: DN 15 G 1/2 ext. thread

 DESIGNED AND MANUFACTURED IN GERMANY

