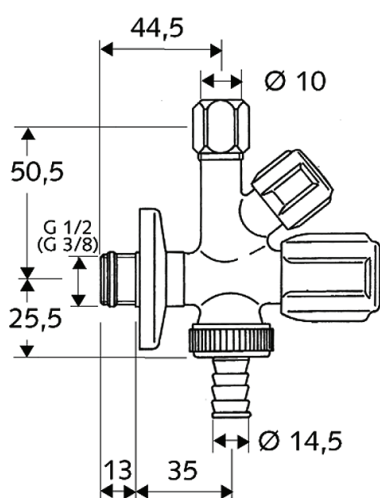


Angle Valves

Schell Male Dishwasher Angle Valve 1/2" x 3/8" x 3/4"

Code:
S0355106



- With COMFORT handle and grease chamber head part
 - Test mark: SVGW certified
 - Appliance connection valve with backflow preventer (BP, EN 1717: EB)
 - With pull-resistant SCHELL brass cone compression with length compensation
 - Long push rod and push rosette Ø 54 mm
 - Hose screw connection
-
- Material: brass conform German drinking water regulation
 - Test Mark: PA-IX 2850/IA
 - Surface: chrome
 - Weight: 0.3 kg/pc.
 - Packaging unit: 1
 - Dimension: DN 15 G 1/2 ext. thread



DESIGNED AND MANUFACTURED IN GERMANY

